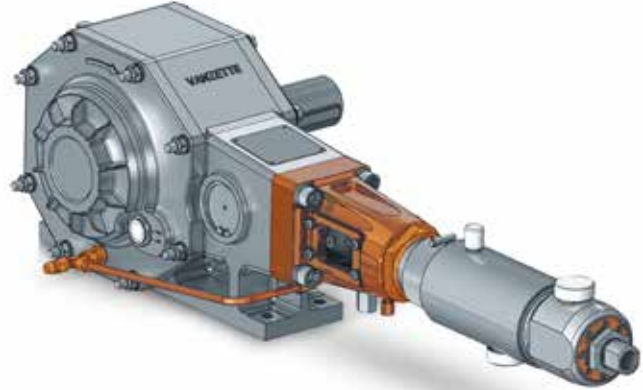


# CRYOGENIC RECIPROCATING PUMPS VT-1 SERIES FOR INDUSTRIAL GASES

### TECHNICAL FEATURES

- Compatible with Cold Converter and Thermosyphon storage tanks
- Easy installation due to the 360° rotating inlet and outlet connections
- High efficiency
- Low operating noise
- Quick maintenance thanks to the integrated cartridge seal system



### APPLICATIONS

- Cylinders filling and high pressure accumulation capacities

### CRANKDRIVE SYSTEM

- TW 6,5 – Oil lubrication

### TRANSFERRED FLUIDS

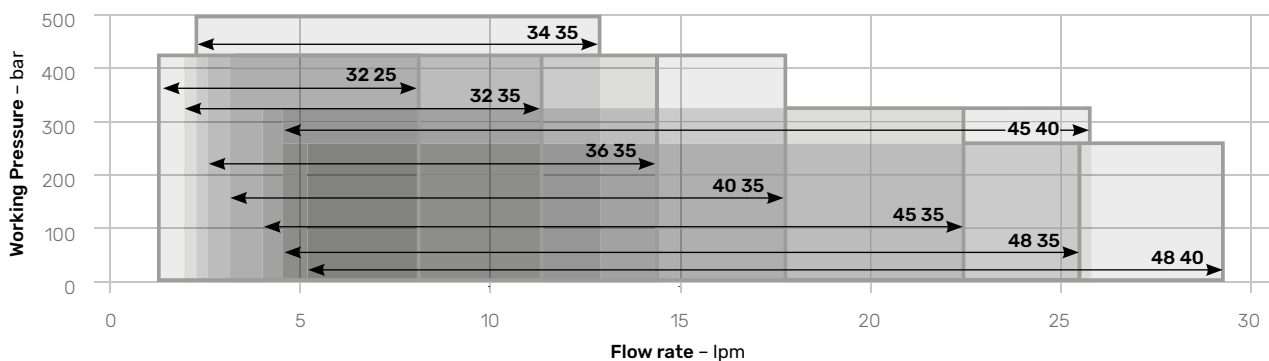
- LIN, LOX, LAR, LCO<sub>2</sub>, LN<sub>2</sub>O

### VT-1 TW 6,5 PERFORMANCES

Model	Piston		Flow rate				Maximum allowable suction pressure (MASP)		Maximum allowable working pressure (MAWP)		Power Installed
	Bore	Stroke	Min 80 rpm		Max 450 rpm						Referred to MAWP
Series pump	mm	mm	lpm	gpm	lpm	gpm	bar	psi	bar	psi	kW
VT-1 32 25	32	25	1,4	0,4	8,1	2,1	20	290	420	6092	3 – 15
VT-1 32 35	32	35	2,0	0,5	11,4	3,0	20	290	420	6092	4 – 22
VT-1 34 35	34	35	2,3	0,6	12,9	3,4	20	290	500	7252	5,5 – 30
VT-1 36 35	36	35	2,6	0,7	14,4	3,8	20	290	420	6092	5,5 – 30
VT-1 40 35	40	35	3,2	0,8	17,8	4,7	20	290	420	6092	5,5 – 30
VT-1 45 35	45	35	4,0	1,1	22,5	5,9	20	290	320	4641	5,5 – 30
VT-1 48 35	48	35	4,6	1,2	25,6	6,8	20	290	260	3771	5,5 – 30
VT-1 45 40	45	40	4,6	1,2	25,8	6,8	20	290	320	4641	7,5 – 37
VT-1 48 40	48	40	5,2	1,4	29,3	7,7	20	290	260	3771	5,5 – 37

NPSH required: 1,5 – 1,7 m

Data can be subjected to change



**STANDARD SUPPLY**

- Painted steel frame
- Cryogenic pump
- Electric motor
- Transmission by belts and pulleys
- Double pulsation damper

**STANDARD ACCESSORIES**

- Suction flexible hose
- Return flexible hose
- Low pressure safety valve
- High pressure safety valve
- High pressure manual valve for venting
- Check valve
- Pressure gauge
- Pressure switch
- Temperature sensor for cool down
- Temperature sensor for cavitation
- Temperature sensor for leaks detection

**OPTIONAL ACCESSORIES**

- High pressure pneumatic vent valve
- Configurable for breathable LOX
- Flushing system with nitrogen gas
- Electrical control panel
- 2 speed electric motor
- Motor suitable for VFD
- Complete automatic system available on demand

Average SKID weight: **690 kg**

Package overall dimensions: **195 x 95 x 130 cm**

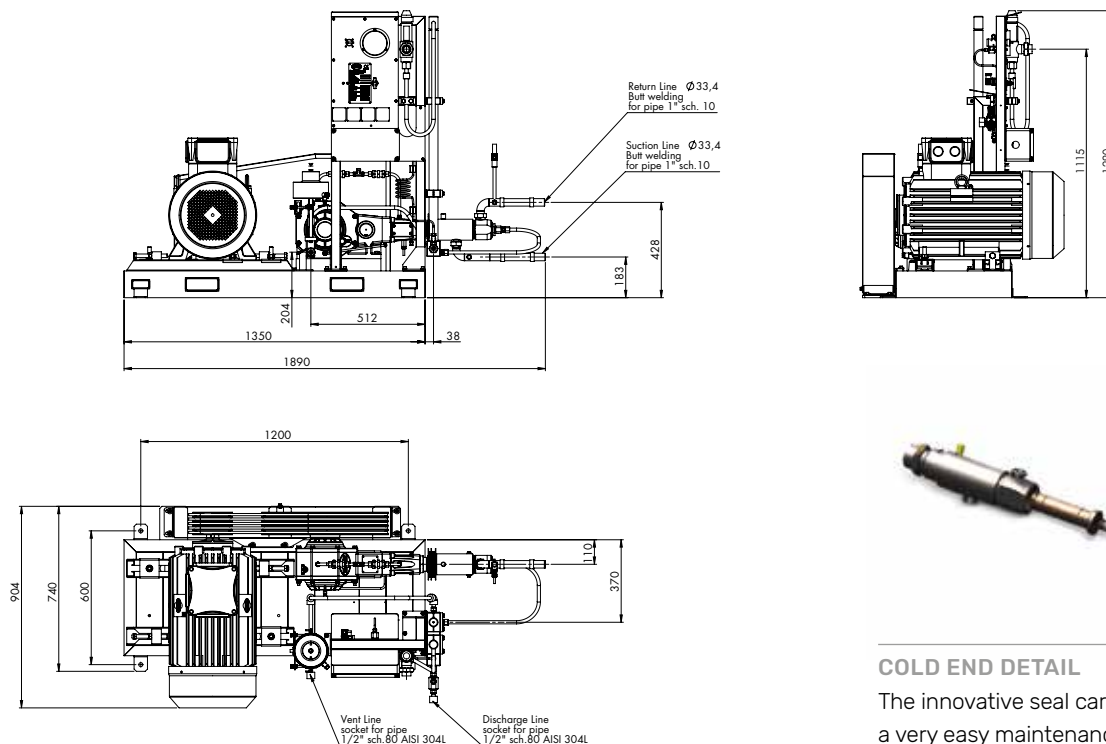
**TESTS AND CHECKS**

- Dimensional control of each mechanical component before assembly
- Performance test with LIN available for class and customer

**STANDARDS**

Designed according to:

- European Directive Machinery
- European Directive PED
- EIGA/IGC/CGA guidelines

**GENERAL DIMENSIONS****COLD END DETAIL**

The innovative seal cartridge allows a very easy maintenance



Certified quality management system