

CRYOGENIC RECIPROCATING PUMPS

VT-100 SERIES

FOR LIQUEFIED NATURAL GAS (LNG)

TECHNICAL FEATURES

- Compatible with Cold Converter and Thermosyphon storage tanks
- Modular assembly (from Simplex to Triplex)
- High efficiency
- Low operating noise
- Quick maintenance thanks to the integrated cartridge seal system

APPLICATIONS

- Peak shaving applications
- Pipeline back-up
- Power generation

CRANKDRIVE SYSTEM

- TW 10 – Oil lubrication

TRANSFERRED FLUIDS

- LNG

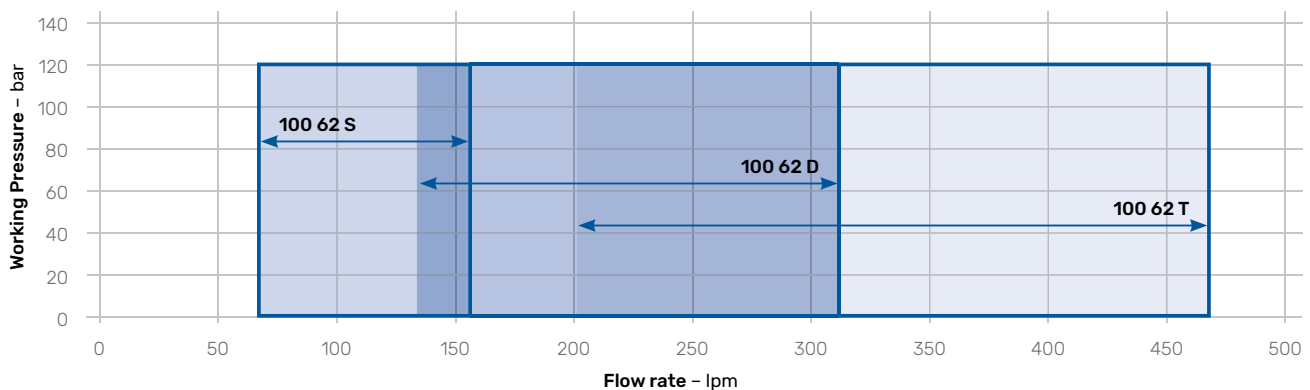
**VT-100 TW 10 PERFORMANCES**

Model	Piston		Flow rate				Maximum allowable suction pressure (MASP)		Maximum allowable working pressure (MAWP)		Power installed
	Bore	Stroke	Min 150 rpm*		Max 350 rpm		bar	psi	bar	psi	Referred to MAWP kW
Series pump	mm	mm	lpm	gpm	lpm	gpm	bar	psi	bar	psi	kW
VT-100 62 S	100	62	67	17,7	156	41,2	20	290	120	1740	37 – 75
VT-100 62 D	100	62	134	35,4	312	82,4	20	290	120	1740	45 – 110
VT-100 62 T	100	62	201	53,1	468	123,6	20	290	120	1740	55 – 132

*Flow rate can be reduced by forced oil lubrication system

NPSH required: 1 – 1,2 m

Data can be subjected to change



STANDARD SUPPLY

- Painted steel frame
- Cryogenic pump
- Electric motor
- Transmission by belt and pulley, available also with gearbox
- Double pulsation damper

STANDARD ACCESSORIES

- Suction flexible hose
- Return flexible hose
- Low pressure safety valve
- High pressure safety valve
- High pressure pneumatic valve for venting
- Check valve
- Pressure gauge
- Pressure switch
- Temperature sensor for cool down
- Temperature sensor for cavitation
- Temperature sensor for leaks detection

OPTIONAL ACCESSORIES

- Flushing system with nitrogen gas
- Electrical control panel
- 2 speed electric motor
- Motor suitable for VFD
- Complete automatic system available on demand

Average SKID weight: 1600 kg

Package overall dimensions: 302 x 119 x 115 cm

TEST AND CHECKS

- Dimensional control of each mechanical component before assembly
- Performance test with LIN available for class and customer

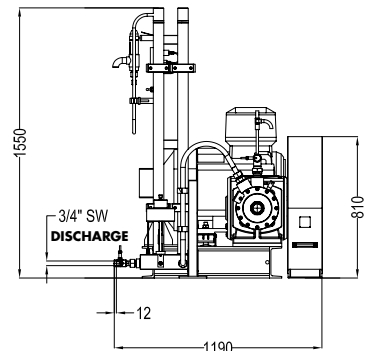
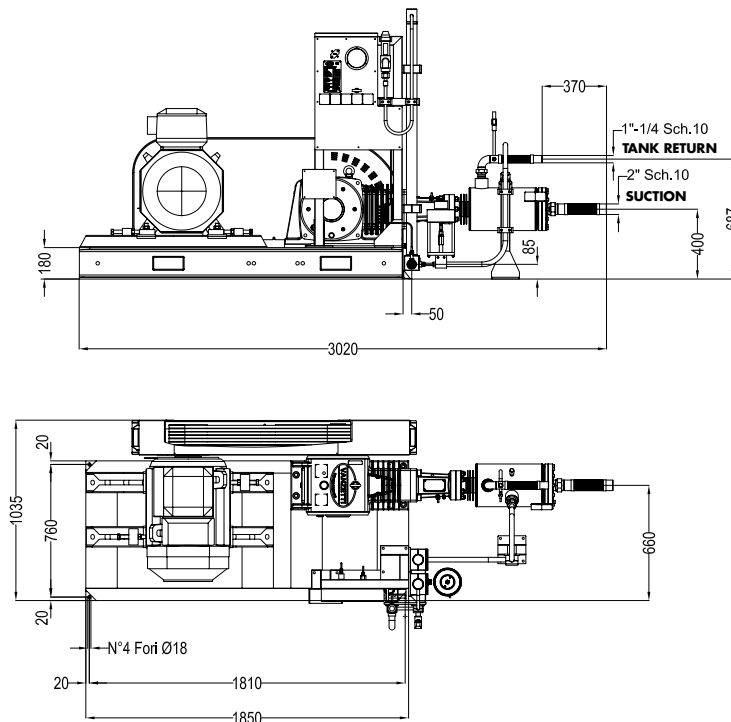
STANDARDS

Designed according to:

- European Directive Machinery
- European Directive PED
- European Directive ATEX
- EIGA/IGC/CGA guidelines



II 2G Ex h IIB/IIC T4 Gb

GENERAL DIMENSIONS**COLD END DETAIL**

The innovative seal cartridge allows a very easy maintenance



Certified quality management system